

SURFACE PRESSURE CMV

submersible pump multistage



clean water



domestic use

Max Head 40 - 103m
Max Flow 7.2 - 22m³/h
Motor Power 0.8 - 4Kw
Discharge size G1- 1¼ F

DN 1" - **CMV 20** Aspiration 1" ½ -
Discharge 1"¼ - **CMV 30, CMV 40**



SURFACE PRESSURE
CMV

KEY ADVANTAGES OF A CMV PUMP

APPLICATION

CMV pumps are suitable for use with clean water. The high efficiency and adaptability of these pumps to even the most unusual of applications, makes them ideal for use in the domestic, civil and industrial sectors; in particular for the distribution of water in combination with pressure sets and for pressure boosting.

INSTALLATION

The pump should be installed in an enclosed environment or sheltered from inclement weather.

MATERIALS

Pump body and pusher in cast iron. Exterior shell and impeller in stainless steel (AISI304). Shaft in stainless steel (AISI 416). Diffusor in noryl with fiber-glass.

PUMPED LIQUID

Clean water.
Max. liquid temperature: 35°C.

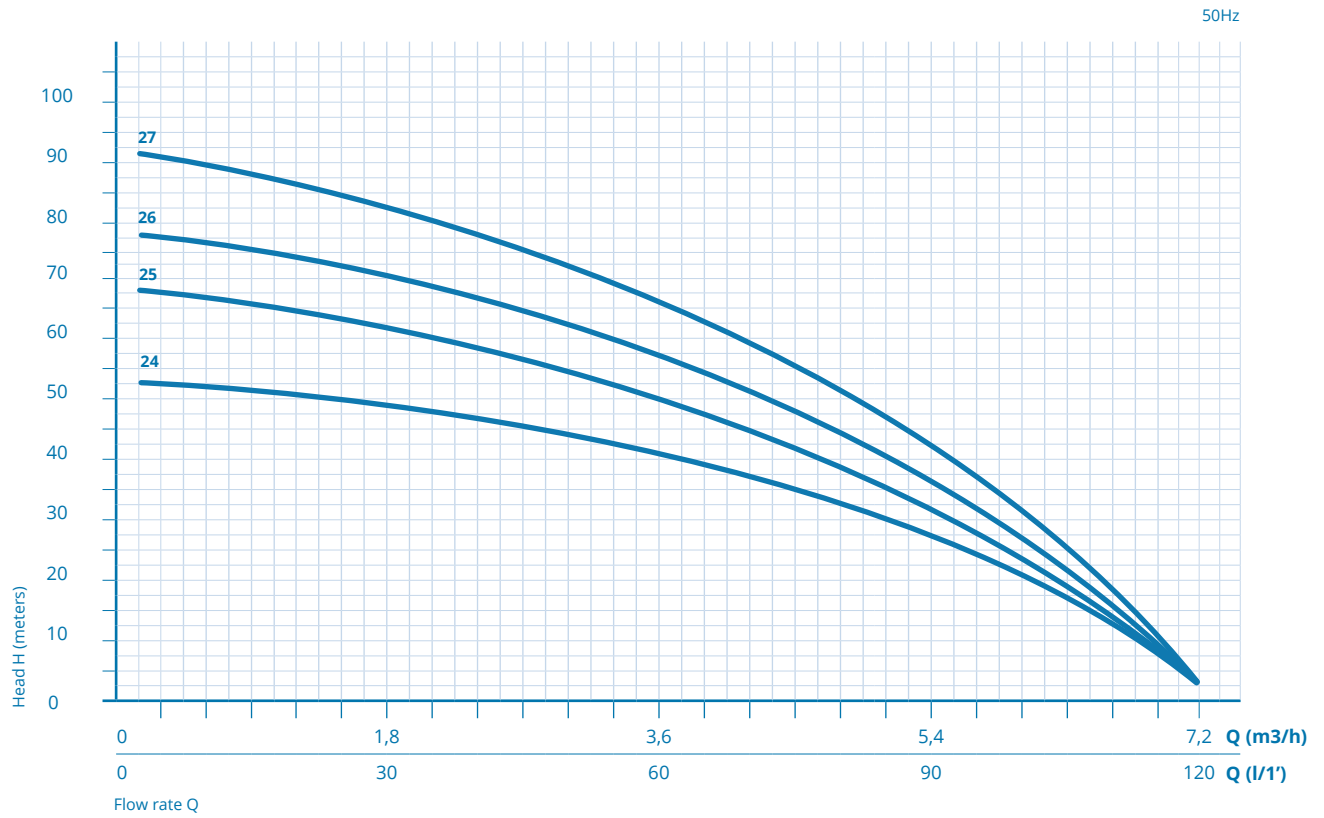
MOTOR

Externally ventilated. Mechanical seal (carbon-graphite). Protection IP44. Class F insulation.

FEATURES

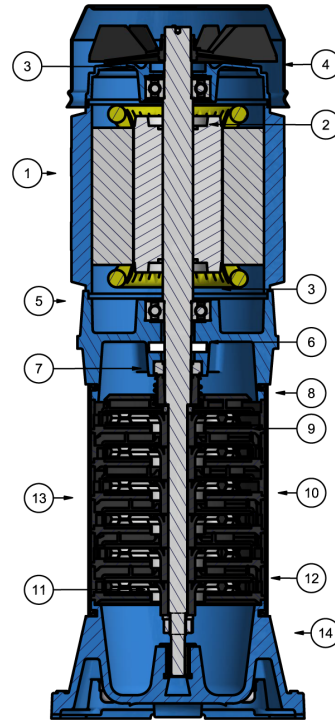
Max. starts/hour: 30

CHARACTERISTIC CURVES AND PERFORMANCE DATA



TYPE	POWER kW	MOTOR			PORT			Q m³/h																	
		1~ A	μF	3~ A	DN	DNA	DNC	0	0,6	1,2	1,8	2,4	3	4,5	5,7	9	10,5	12	15	18	19,8				
CMV 24.80	0,8	5,4	16	2,3	1"	-	-	l/min	0	10	20	30	40	50	75	95	150	175	200	250	300	330			
CMV 25.120	1,2	7,2	20	2,8				H - meters	52	51	48	46	43	39	27	15									
CMV 26.120		7,8	25	3,5				78	76,5	74	71	67	62	46	29										
CMV 27.150	1,5	8,6	25	3,8				91	89	86	84	80	75	59	39										

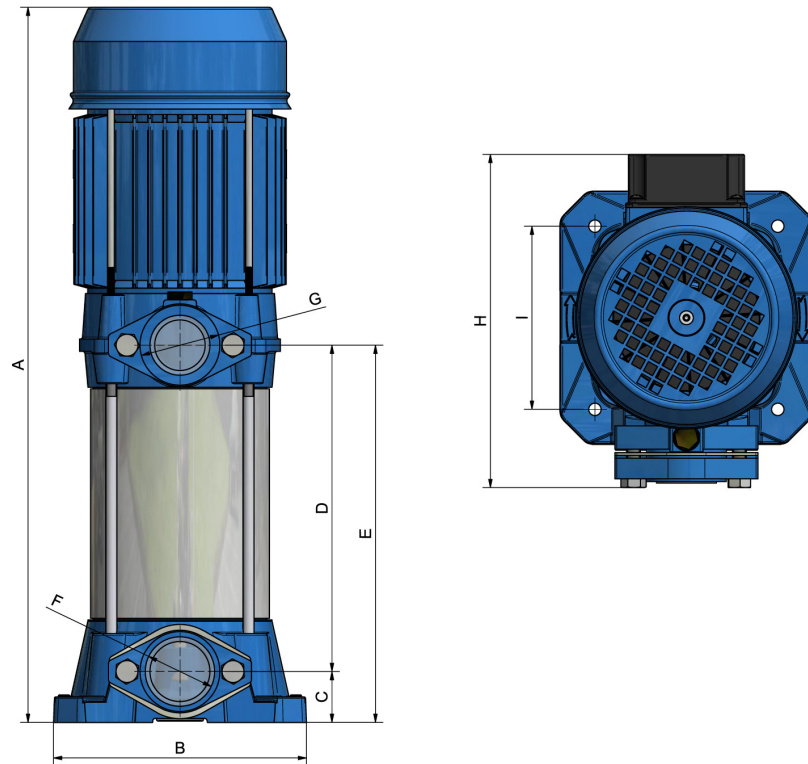
COMPONENTS AND MATERIALS



POS	COMPONENT	MATERIALS
1	Stator on Casing	
2	Rotor / Shaft	Steel and Aluminium / Stainless Steel
3	Bearing	Steel
4	Cover	Aluminium
5	Body Impulse	Iron Cast
6	Mechanical Seal Fixe	Nitrile Rubber / Ceramics
7	Mechanical Seal Mobile	Graphite Steel
8	Initial Diffuser	Noryl
9	Impeller	Stainless Steel
10	Diffuser Lid Welded	Noryl
11	Busching Impeller	Plastic
12	Diffuser Cover	Noryl
13	Motor Casing	Stainless Steel
14	Pump Aspiration	Iron Cast

DIMENSIONS AND WEIGHT

SURFACE PRESSURE
CMV



TYPE	DIMENSIONS (mm)							WEIGHT Kg
	A	B	C	D	E	H	I	
CMV 24.80	380	160	21,5	156	177	210	125	14,5
CMV 25.120	400			170	192			15
CMV 26.120	420			190	212			15,5
CMV 27.150	440			210	232			17
CMV 33.90	447	184	37	163	201	242	133	21
CMV 34.110	470			188,5	226			22
CMV 35.150	495			213,5	250,5			24
CMV 36.220	520			238	275			24,5
CMV 38.300.3	607	184	37	286	323	298,5	133	28
CMV 44.220.3	596			248	285			33
CMV 46.300.3	719			325	362			37
CMV 47.400.3	800			365	402			45