

SEWAGE VORTEX N

submersible pump for
sewage water



wastewater



domestic use

Vertical outlet

The range Vortex NJ is especially designed to meet the water loaded with suspended matter, all wastewater houses (excluding WC). From 30mm passage. Very low electrical consumption. Adapted to the sludge recirculation for microstation.



KEY ADVANTAGES OF A VORTEX PUMP

1. INCOLMATAGE

The vortex impeller creates a vortex that leads to most solids without contact with the turbine and the fibrous materials are repelled and can not hold on to the turbine.

2. MINIMUM WEAR + CONSISTENT PERFORMANCE

The Vortex pump wear is very low because most of the solids pumped passes through the volute without touching the turbine. The yield remains constant over a long period.

3. LOW MAINTENANCE + NO ADJUSTMENT

The position of the wheel back in the volute eliminates the risk of blockage and sudden loss of performance. No adjustment is necessary and the cost of maintenance and operation are low and constant.

USE

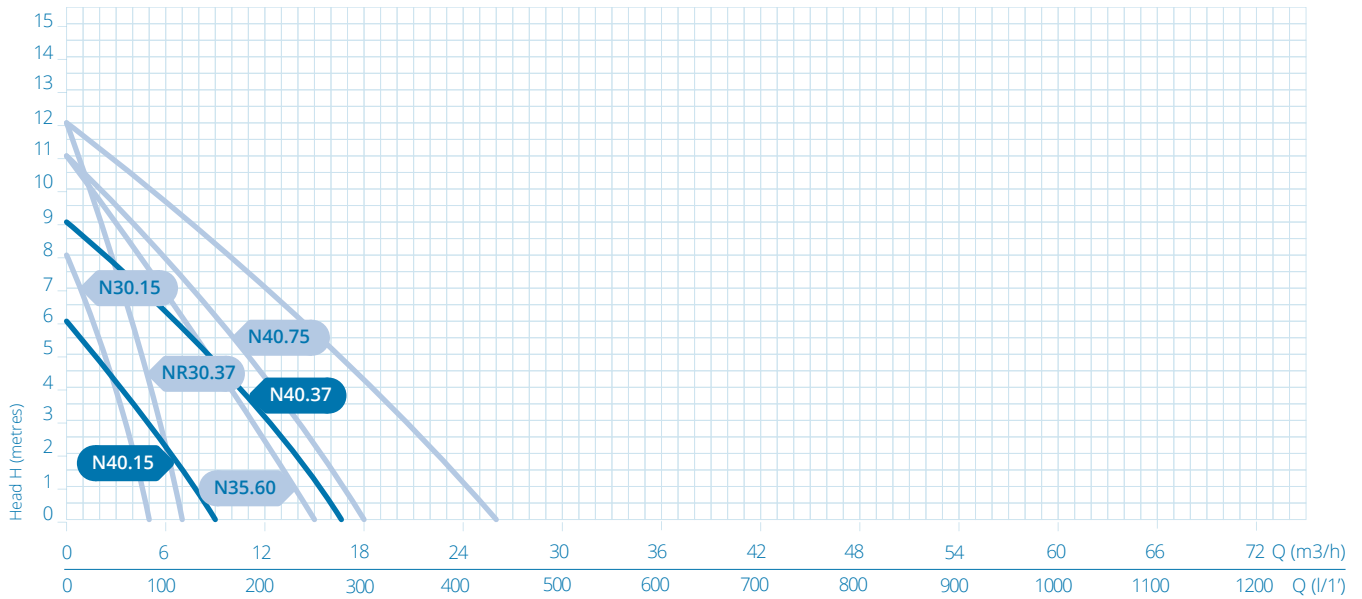
Laden water with suspended solids.
All wastewater from homes, including toilets from 50mm to pass.
Immersion depth of 10m.

FEATURES

- Motor casing in stainless steel;
- Casing pump in cast;
- Impeller in cast iron, stainless steel shaft;
- Engine oil bath class F, 10m cable, built-in capacitor (to phase);
- Double seals, lip seals and reinforced carbon ceramic mechanical seal;
- Single-phase models with or without float (types A)

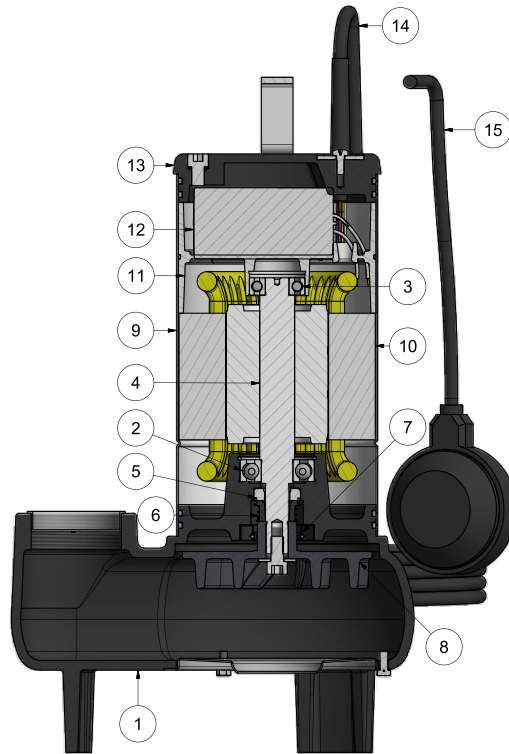
CHARACTERISTIC CURVES AND PERFORMANCE DATA

50Hz



TYPE	POWER kW	MOTOR			PORT		Q	m³/h															
		1~ A	μF	3~ A	ø mm	DN		0	3	6	9	12	15	18	24	27	30	36	48	60	72		
N 40.15	0,15	2	12	1	30	1" ½	0	50	100	150	200	250	300	400	450	500	600	800	1000	1200			
N 40.37	0,37	3,4	16	1,3			7	6,3	5,5	4,7	3,9	3	1,1										
N 40.37	0,37	3,4	16	1,3	30	1" ½	9	8,5	8	7,4	6,8	6,1	4,6	3,7	1,8								
N 35.60	0,6	5,2	16	1,4	33	1"¼	11	10	8,8	7,6	6,5	5,3	3,2	2,2	0,2								
N 40.75	0,75	6,4	20	2,6	35	1"½	11	10,2	9,5	8,8	8	7,2	5,4	4,5	2,5	0,4							
N 50.110	1,1	9,0	35	3,0	50	2"	H - meters	12	11,9	11,2	10,5	9,8	9,1	7,7	6,9	5,5	4,1	2,6	1,1				
N 50.150	1,5	9,4	40	3,7			14	13,6	12,9	12,1	11,3	10,6	9,1	8,4	7	5,6	4,2	2,9	1,5	0,3			

COMPONENTS AND MATERIALS

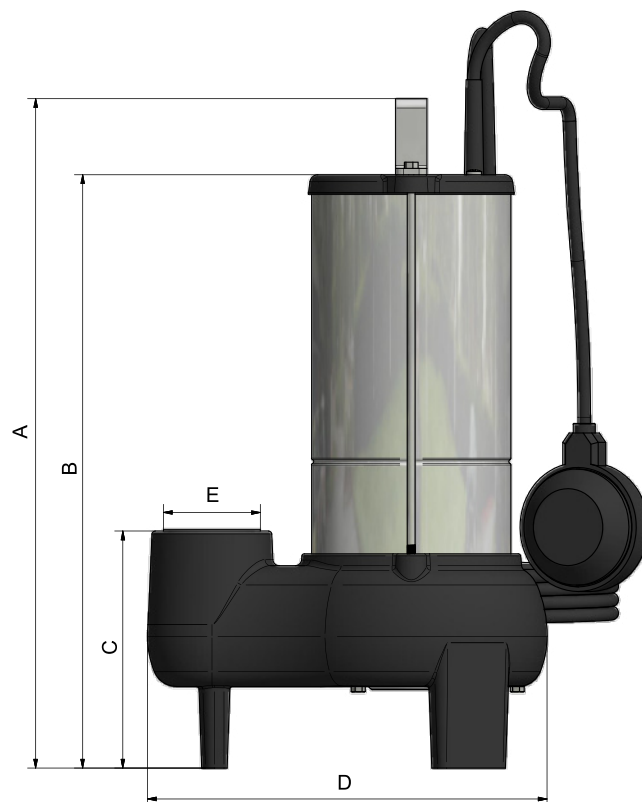


POS. COMPONENT

MATERIALS

1	Body Vortex Pump	Cast Iron
2	Bearing	Steel
3	Bearing	Steel
4	Rotor / Shaft	Steel and Aluminum / Stainless Steel
5	Mechanical Seal Fixe	Nitrile Rubber / Ceramics
6	Mechanical Seal Mobile	Graphite Steel
7	Lip Seals	Nitrile Rubber
8	Impeller	Cast Iron
9	Motor Casing	Stainless Steel
10	Stator	
11	Top Engine Support	Aluminium
12	Capacitor	
13	Pump Cover	
14	Power Cable	Neoprene
15	Float	Neoprene / Plastic

DIMENSIONS AND WEIGHT



TYPE	DIMENSIONS (mm)							WEIGHT Kg
	A	B	C	D	ØE	ØF (passage)	G	
N 40.15	322	311	111	35	1"½	30	213	9,8
N 40.37	347	335		10				
N 35.60	345	335	110	37	1"¼	33	215	10,5
N 40.75	365	355	120	42	1"½	35	230	11,5
N 50.110	425	410	137,5	53	2"	50	255	17,0
N 50.150	435	420	137,5					19,0